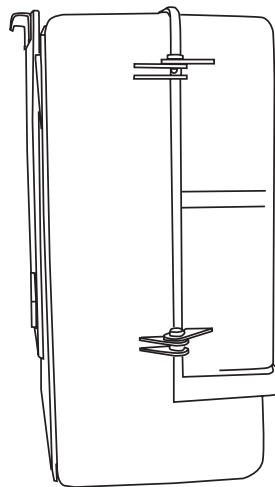
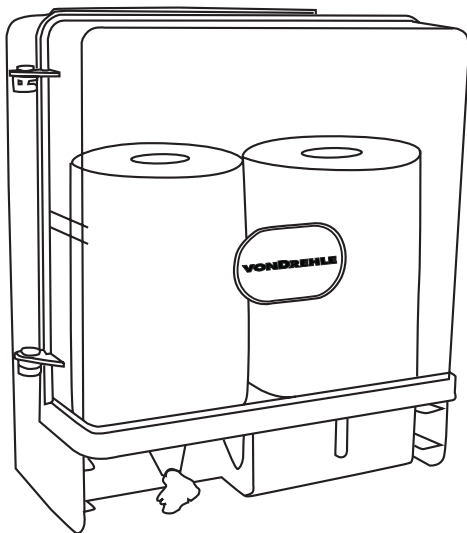


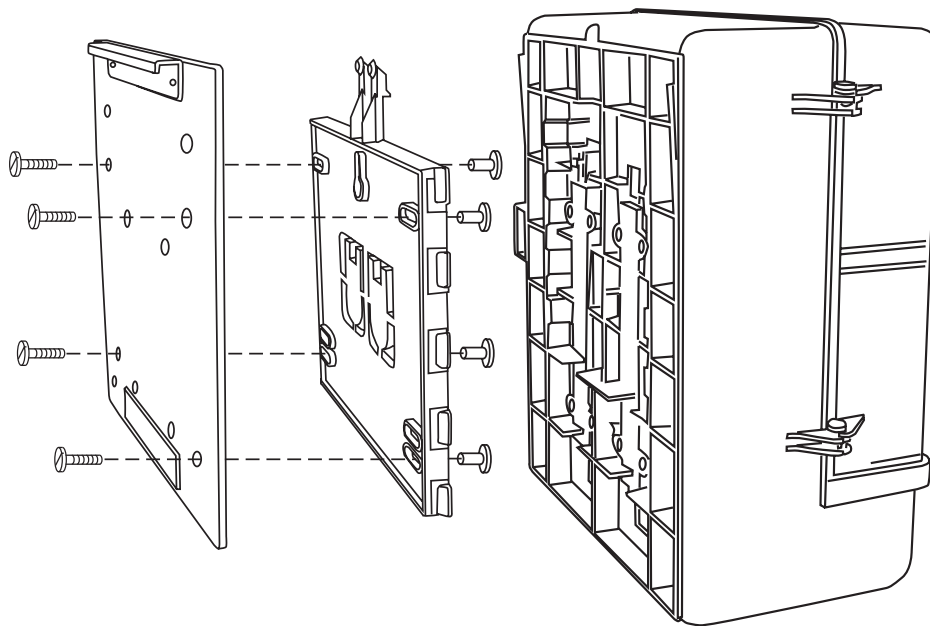
RECESSED TOWEL CABINET ADAPTER BRACKET

INSTALLATION INSTRUCTIONS



Tools Needed:

Flathead Screwdriver

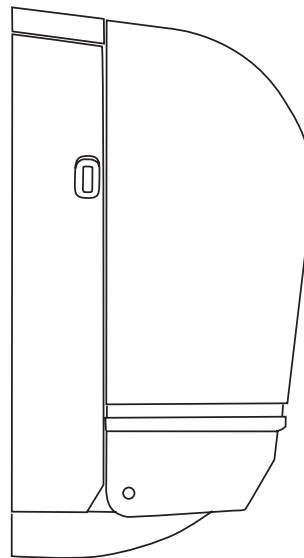
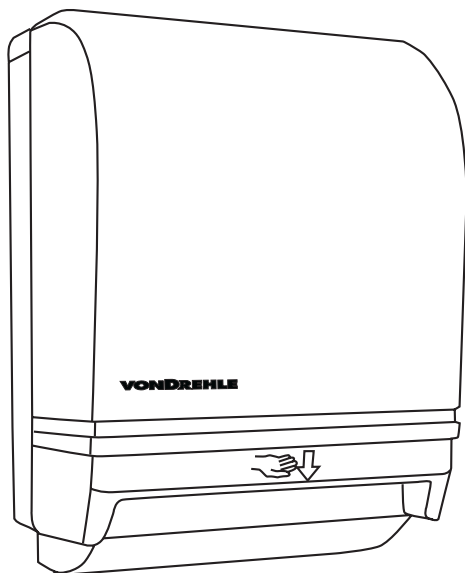


Centerpull Dispenser Installation (#6622, #6322)

1. Using dispenser key, remove wall-mounting plate from back of dispenser.
2. Attach wall-mounting plate to the adapter bracket using four #8 1/2 inch roundhead screws and four #8 T-nuts. Screws should be inserted through the wall mounting plate and the T-nuts should be inserted through the adapter bracket on the side with the metal piece. Metal piece on adapter bracket should be positioned away from the wall-mounting plate.
3. Reinsert wall-mounting plate into back of dispenser.
4. Remove one corner on the protective covering on the double-sided foam strip.
5. Open recessed cabinet door and hang dispenser on the door. Slide horizontally to expose keyhole on door.
6. Remove protective covering from foam strip.

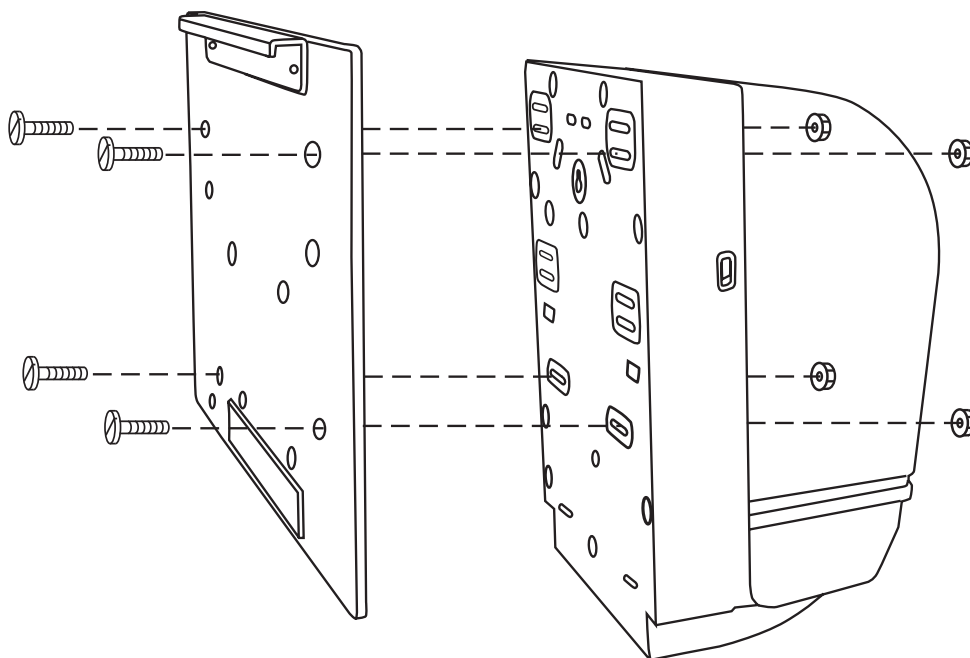
RECESSED TOWEL CABINET ADAPTER BRACKET

INSTALLATION INSTRUCTIONS



Tools Needed:

Flathead Screwdriver
Pliers or 3/8" Wrench



Hardwood Towel Dispenser Installation (#19067, #3467, #2257, #22725)

1. Attach adapter bracket to dispenser using four #10 3/8 inch flat head screws and four #10 stop nuts. Screws should be inserted through the adapter bracket on the side with the metal piece. Metal piece on adapter bracket should be positioned away from the dispenser. Lock nuts should go inside the dispenser.
2. Remove one corner on the protective covering on the double-sided foam strip.
3. Open recessed cabinet door and hang dispenser on the door. Slide horizontally to expose keyhole on door.
4. Remove protective covering from foam strip.